

Owner's Manual

OD4-1300

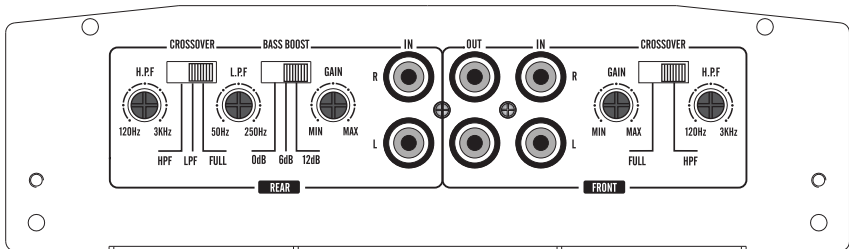
OD4-1600

POWER ACOUSTIK

4 CHANNEL AMPLIFIER

FEATURES & FUNCTIONS

Figure 1



① Low Level Input--RCA TYPE TERMINAL

This amplifier is provided with gold plated RCA terminals for LOW LEVEL INPUT to match radios and equalizers with line level output. Couple the RCA input with the car stereo/equalizer output using RCA type connector cables.

(OUT: The line out use by connecting with another power amplifier.)

② Input Level Control--LEVEL.

The "Level" function can be selected to increase or decrease sound response output.

③ Bass boost Control--BASS BOOST OR BASS EQ.

The Bass Boost Control allows you to contour extra bass response into your system, The Bass can be boosted up to +12dB.

④ X-OVER OR FILTER

HPF: Set to the "HPF" position when the amplifier is used to drive a tweeter/midrange system. The frequencies below the crossover point will be attenuated at 12dB/octave. Permits adjustment 50Hz to 150Hz as the crissiver point.

LPF: Set to the "LPF" Position when the amplifier is used to drive a subwoofer. The frequency above the crossover frequency, by rotating the knob to select any frequency between 50Hz to 150Hz as the crossover point.

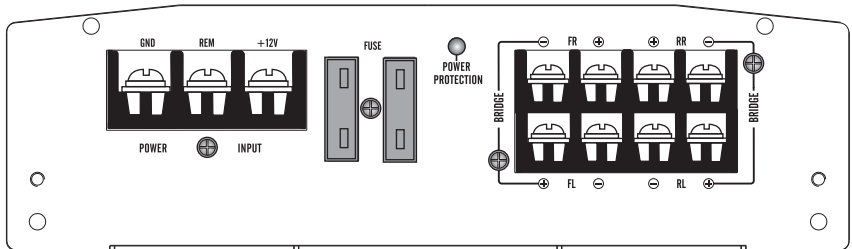
FULL/FLAT: Set to the full/flat position when the amplifier will be used for driving full-range speakers. The full frequency bandwidth will be output to the speakers without high or low frequency attenuation.

⑤ POWER ON LED--POWER

When the unit is properly grounded, has proper power, and is receiving

FEATURES & FUNCTIONS

Figure 2



Its remote power signal, the red LED will light up indicating power conditions are correct.

6 PROTECTION LED--PROTECTION

When the unit is protection, the protection LED will light up.

7 Speaker Terminals.

The speaker terminals are Gold Plated for high conductivity and minimum impedance loss. Be sure to strip just enough insulation off your speaker wires that will fit under the screw plate to help ensure against speaker wire short circuits.

The unit can support an impedance load as low as 2 ohms per channel or 4 ohms in the bridged mode.

Bridged mode is designed for 4-8 ohm loads and will not support a 2 ohm load.

8 Power Terminals

B+/+12V. Connect the +12V pole of power supply directly to the batter(+) position terminal.

GND. Connect the GND pole of power supply directly to the(-) negative ground battery terminal of car chassis.

REM. Connect the "Remote" pole to external switch for positive 12V ON/OFF. This may be connected to the power antenna of turn on lead of the headunit.

9 FUSE

Refer to flank panel text.

(Figure 1 and figure 2 are referred only.)

POWER CONNECTIONS

For your convenience, high current barrier strip terminals are provided which allow the use of heavy gauge terminals and wire without splicing.

B+/+12V: Connect to +12v post of battery.

GND: Connect to the chassis ground of auto.

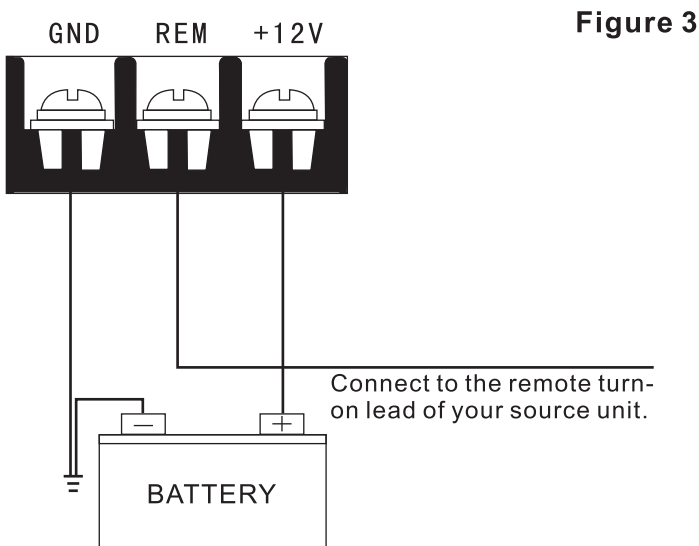
Remote: Connect to the remote turn-on lead of your source unit.

* Improper wiring connections can seriously damage amplifiers, accessories, or speakers, please follow instructions carefully.

* Disconnect the battery positive(+) before making any power connections to the amplifier.

* Make sure all connections are clean and secure, and use grommets when going through the firewall and other metal bodywork.

* Always use the proper size fusing, with a fuse at the battery and the amplifier.(not supplied)



INPUT CONNECTIONS

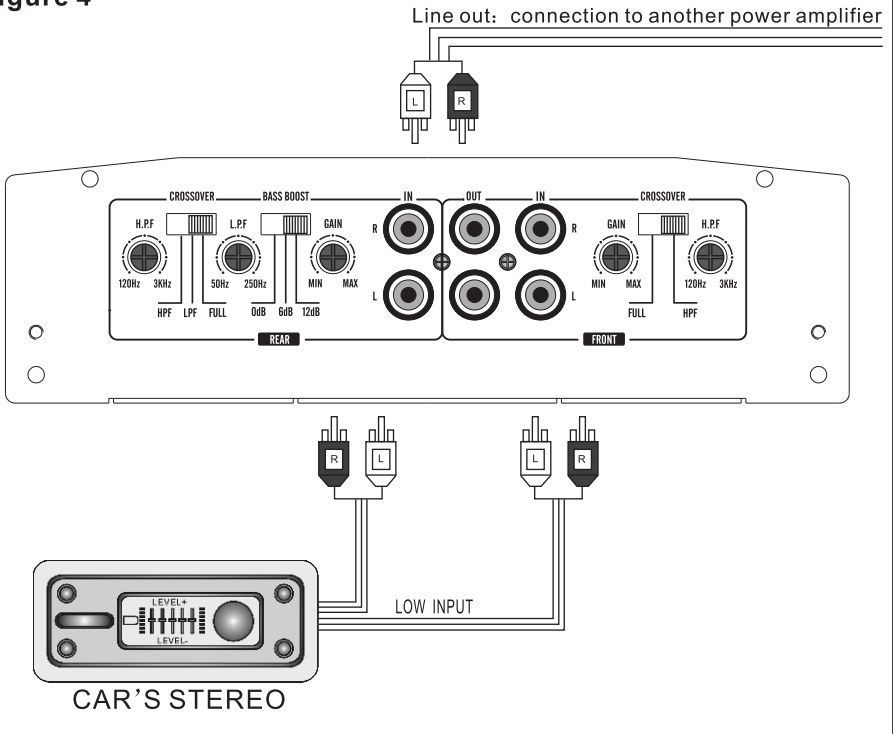
Connect the pre-amp(low-level) outputs from your source unit or crossover to the RCA jacks labeled "input" on the amplifier. Be sure to route all signal cables away from power lines and use high quality RCA cables to insure good signal transfer and to avoid noise from entering the system.

In the stereo mode, (refer to Figure 5) connect the left and right RCA plugs from the source unit to their appropriate input jacks.

In the mono/bridged mode, connection may be made to the right, left or both input jacks.

If you are using a pre-amp device, such as the G & S Designs Aa4X, connect the outputs of the front-end unit to the inputs of the preamp, then the outputs of the preamp to the inputs of the amplifier as per above.

Figure 4



OUTPUT CONNECTIONS

Again, high current barrier strip terminals are provided for connection to the loud speaker system.

In the stereo mode, connect the left speaker leads to the left terminal and the right speaker leads to the right terminal. Be sure to observe polarity.

In the bridged/mono mode, connect the speaker(+) lead to the R+ terminal and the speaker(-) lead to the L-terminal.

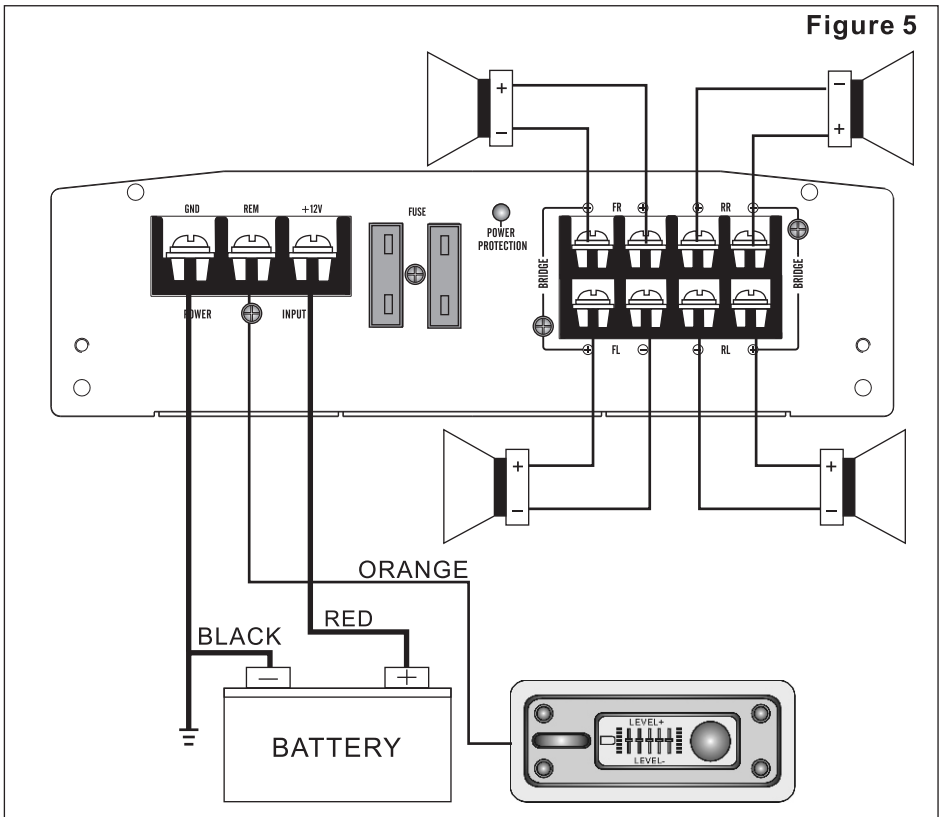
Stereo/mono configuration may be used by utilizing the above wiring simultaneously. (For satellite subwoofer or satellite/center).

Stereo mode is designed for use with 2, 4 or 8 ohm speaker loads.

Mono mode is designed for 4-8 ohm loads and will not support a 2 ohm load.

STEREO AMPLIFIER SYSTEM

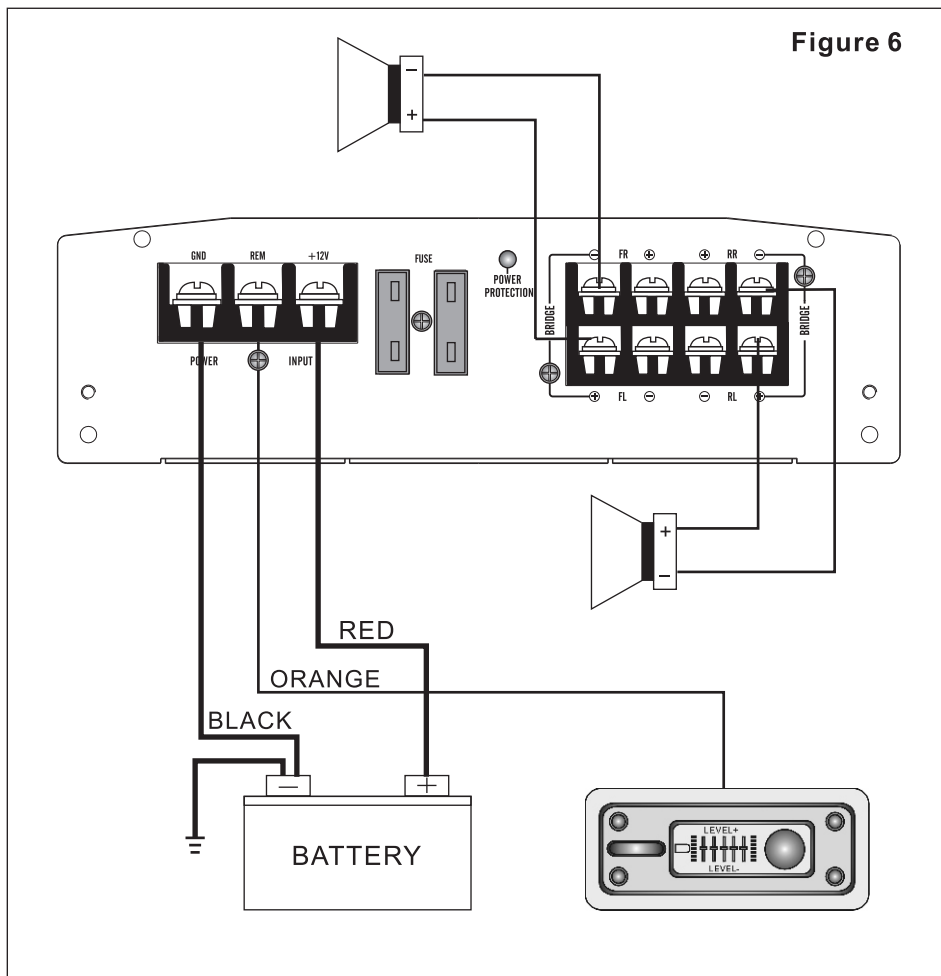
Connect the two pair of output terminals to Corresponding LEFT and RIGHT speakers, (Figure 5)



MONO AMPIIFIER SYSTEM

This unit is bridgeable from a 2 channel amplifier to a one channel amplifier (Figure4) The ideal speaker impedance for optimum operation is 4 ohms. The amplifier will provide stable operation between 2 and 8 ohms loads. The minimum recommended speaker load is 2 ohms for each channel in stereo mode

When operating in the bridged mode, the minimum recommended speaker load is 4 ohms for each bridged channel. Operation of the amplifier below this impedance load can damage both the amplifier and your speaker, and will void your warranty.



FEATURES

- * Digital pulse-width-modulated regulated power supply
- * Mosfet power supply devices
- * Fully complementary discrete audio stages
- * Direct coupled output stage
- * Discrete output transistors
- * Low overall negative feedback
- * 2 ohm stable in stereo mode
- * Bridgeable to mono operation
- * Stereo/mono setup simultaneously
- * 4 way protection circuit-thermal, current,D.C.Moffset, and overvoltage
- * Soft start delayed turn-on
- * Increased surface area and mass for continuous heat dissipation
- * LED power on indicator

SPECIFICATIONS

OUTPUT POWER:	4x85W To 4x160W (4ΩRMS) 4x85W To 4x160W (4ΩRMS)
THD:	<0.3%
FREQUENCY.RESP.	10Hz-20KHz±2dB
S/N RATIO:	≥90dB
INPUT SENSITIVITY:	200MV~ 8V
BASS BOOST:	12dB
SPEAKER IMPEDANCE:	2~ 8Ω
POWER FUSE:	20Ax2 (refer flank panel text) 25Ax2 (refer flank panel text)
DIMENSION LxHxW(MM)	310X184X63 mm 350X184X63 mm
ACCESSORY:	SCREW SET & SPARE FUSE